



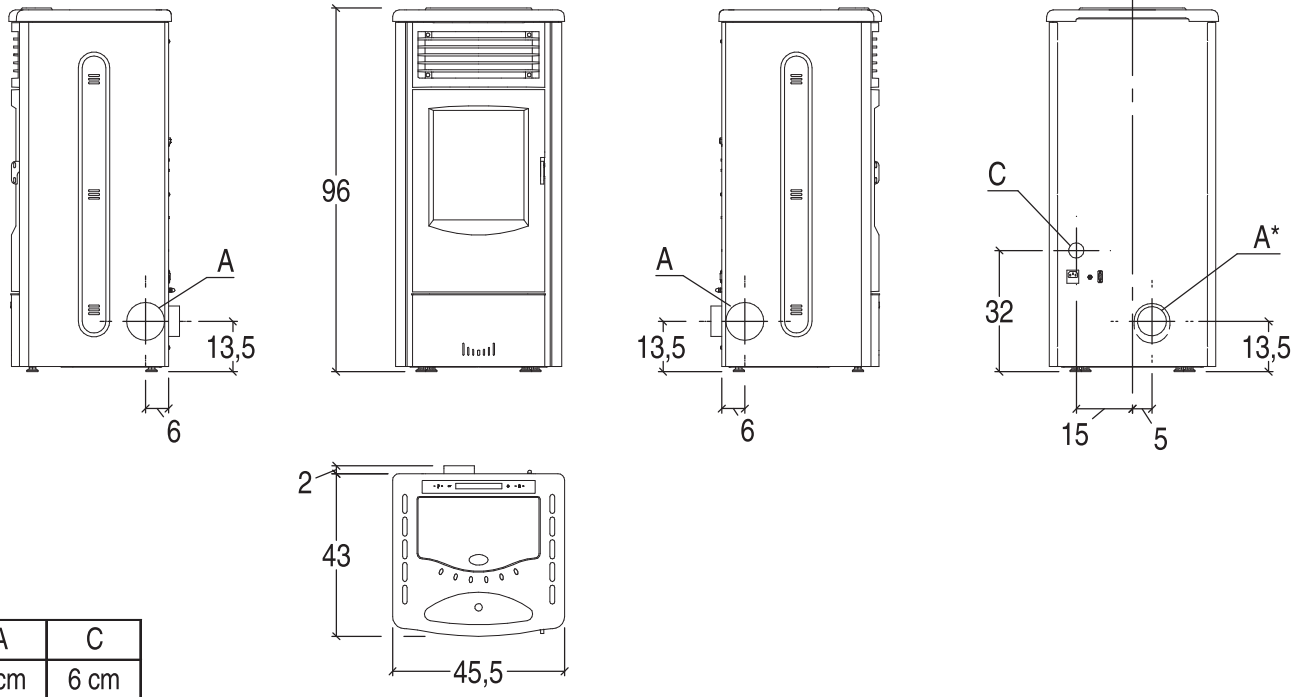
Available colours

\* Selected colours are available on request only; Please confirm stock availability.



Output range   Kw	2.4-6
Eco Design 2022 / Nom.   Kw	6
Heating Capacity   m <sup>3</sup>	175
Nominal Efficiency   %	90
Type	Freestanding
Fuel Type	Pellet
Max load / Nom. Cons.   Kg/h	0.6-1.3
Brand	Superior
Category	Smart
Flue ø	80 (<1000m)   100 (>1000m)
Flue exit	Right, Left, Rear
WxDxH   mm	455 x 430 x 960
Weight   Kg	90
Hopper capacity   Kg	10.5
Finish	Cast-Iron, Steel
Ash tray	Yes
Glass cleaning air flow	Yes
Convection type	Forced
Multifire System	-
Dual power system	-
Ductable	-
Power settings	4
Remote control	Optional
Energy saving mode	Yes
Humidifier	Optional
Warranty	5 Year Structural 10 Year Parts Avail. 2 Year Electrical

\* All warranties are subject to CRMS registration.



- A Smoke outlet
- C Combustive air duct
- \* standard position

\*Unit of measure and model dimensions may vary. E&OE.