



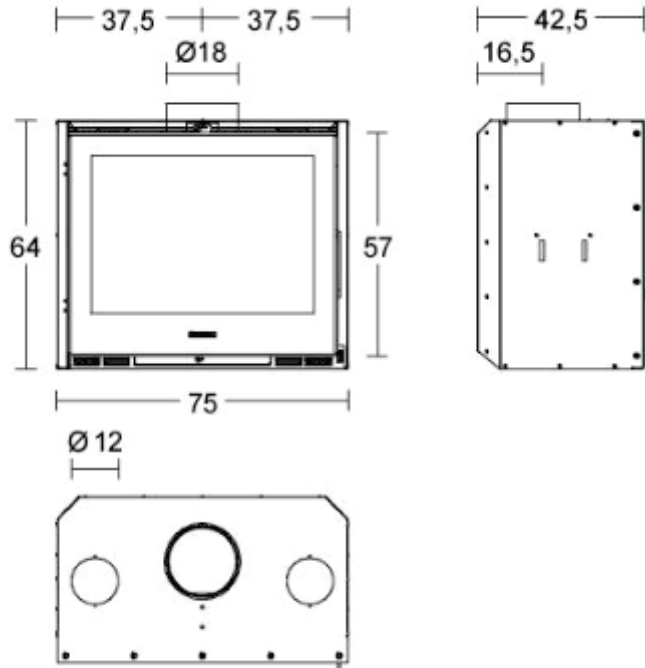
Available colours

* Selected colours are available on request only; Please confirm stock availability.



Output range Kw	4.3-9
Eco Design 2022 / Nom. Kw	9
Heating Capacity m³	260
Nominal Efficiency %	79.7
Type	Built-In/Insert
Fuel Type	Wood
Max load / Nom. Cons. Kg/h	2.4
Brand	Piazzetta
Category	Traditional Wood
Flue ø	180
Flue exit	Top
WxDxH mm	750 x 425 x 640
Weight Kg	132
Hopper capacity Kg	-
Finish	Steel, Aluker®
Ash tray	Yes
Glass cleaning air flow	Yes
Convection type	Forced
Multifire System	-
Dual power system	-
Ductable	-
Power settings	-
Remote control	-
Energy saving mode	-
Humidifier	-
Warranty	5 Yr. Structural 2 Yr. Elec. & Mech. 10 Yr. Parts Availability

* All warranties are subject to CRMS registration.



*Unit of measure and model dimensions may vary. E&OE.