



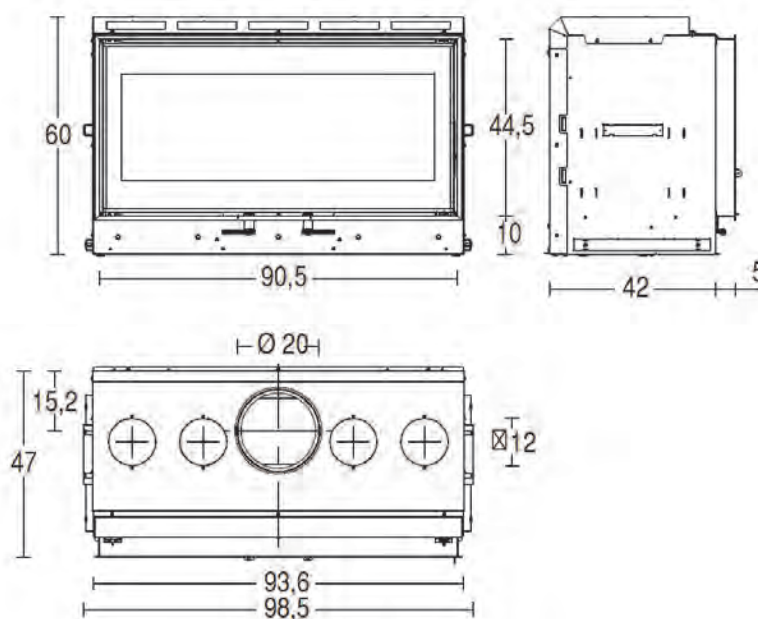
Available colours

* Selected colours are available on request only; Please confirm stock availability.



| | |
|---|--|
| Output range Kw | 5.9-13.5 |
| Eco Design 2022 / Nom. Kw | 12 |
| Heating Capacity m³ | 350 |
| Nominal Efficiency % | 79.3 |
| Type | Built-In/Insert |
| Fuel Type | Wood |
| Max load / Nom. Cons. Kg/h | 3.2 |
| Brand | Piazzetta |
| Category | Smart Plus |
| Flue ø | 200 |
| Flue exit | Top |
| WxDxH mm | 985 x 470 x 600 |
| Weight Kg | 160 |
| Hopper capacity Kg | - |
| Finish | Steel, Aluker® |
| Ash tray | - |
| Glass cleaning air flow | Yes |
| Convection type | Natural, Opt. Forced |
| Multifire System | Optional |
| Dual power system | - |
| Ductable | Up to 10m |
| Power settings | - |
| Remote control | - |
| Energy saving mode | - |
| Humidifier | - |
| Warranty | 5 Yr. Structural 2 Yr. Elec. & Mech. 10 Yr. Parts Availability |

* All warranties are subject to CRMS registration.



*Unit of measure and model dimensions may vary. E&OE.