



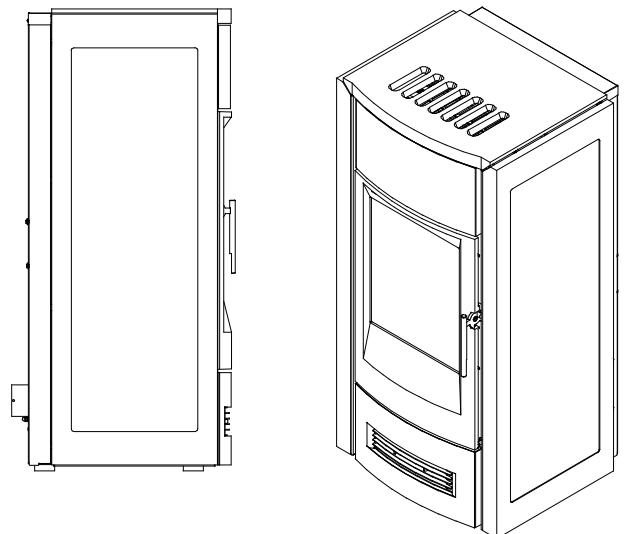
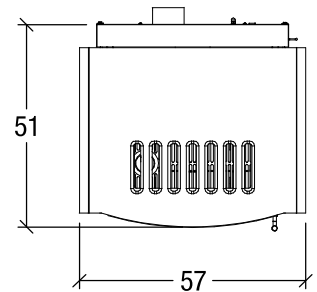
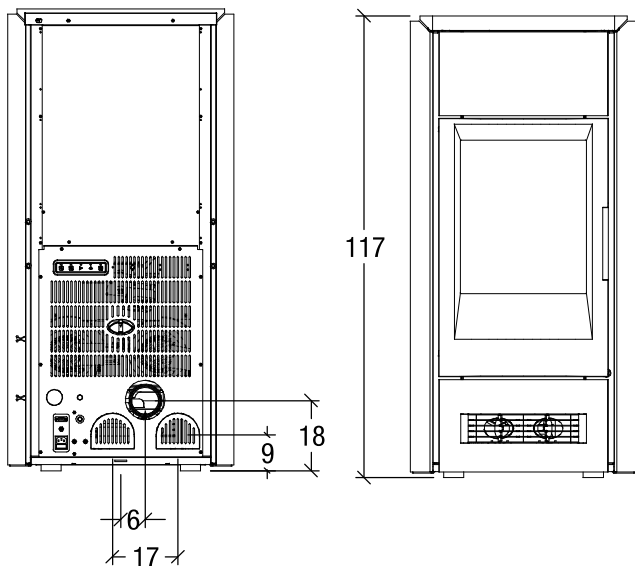
Available colours

* Selected colours are available on request only; Please confirm stock availability.



Output range Kw	3.5-11.3
Eco Design 2022 / Nom. Kw	11.3
Heating Capacity m³	325
Nominal Efficiency %	90
Type	Freestanding
Fuel Type	Pellet
Max load / Nom. Cons. Kg/h	0.8-2.6
Brand	Piazzetta
Category	Smart Premium
Flue ø	80 (<1000m) 100 (>1000m)
Flue exit	Rear
WxDxH mm	570 x 530 x 1170
Weight Kg	197
Hopper capacity Kg	30
Finish	Cast-Iron, Majolica
Ash tray	Yes
Glass cleaning air flow	Yes
Convection type	Forced
Multifire System	Yes
Dual power system	Yes
Ductable	Up to 16m
Power settings	5
Remote control	Yes
Energy saving mode	Yes
Humidifier	Yes
Warranty	5 Yr. Structural 2 Yr. Elec. & Mech. 10 Yr. Parts Availability

* All warranties are subject to CRMS registration.



*Unit of measure and model dimensions may vary. E&OE.