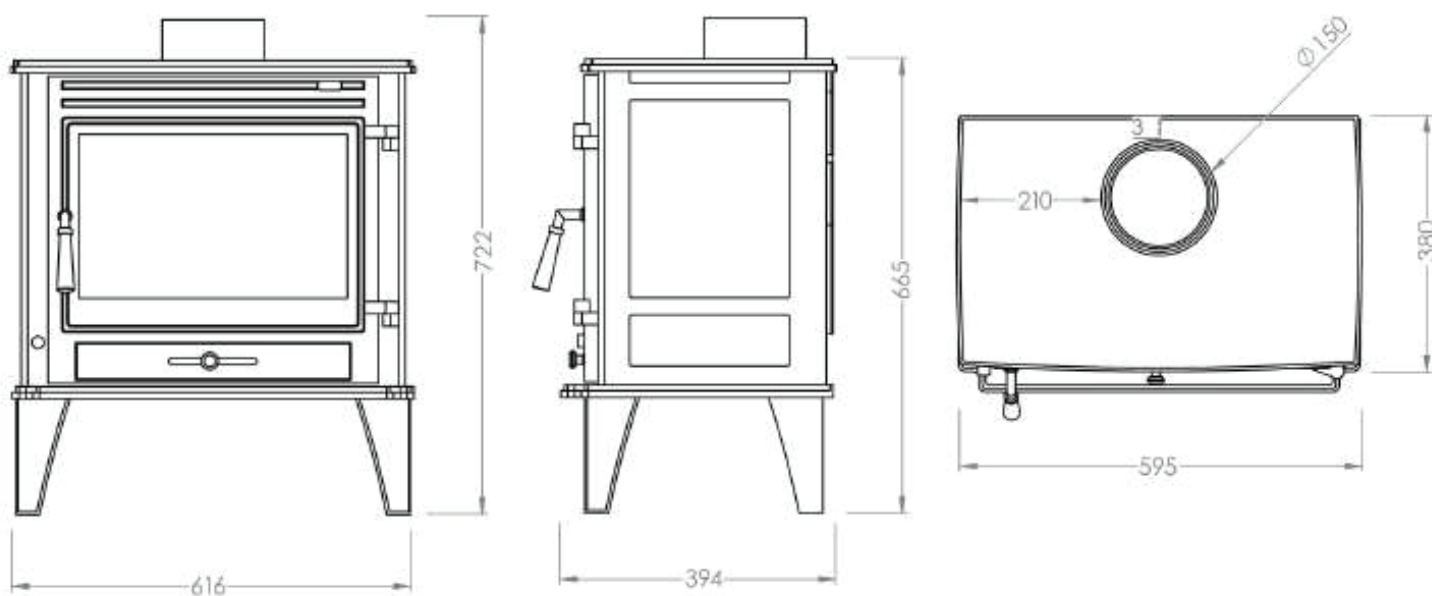




Output range Kw	10 - 11
Heating Capacity m³	215
Nominal Efficiency %	78.3
Type	Freestanding
Fuel Type	Wood
Brand	Metlor
Category	Traditional Wood
Convection Type	Natural
Glass Cleaning Airflow	Yes
Ash Tray	Yes
Flue ø	150
Flue exit	Top/Rear
WxDxH mm	H722 x W616 x D394
Weight Kg	133
Finish	Cast Iron
Warranty	3 Years

* All warranties are subject to CRMS registration.



*Unit of measure and model dimensions may vary. E&OE.