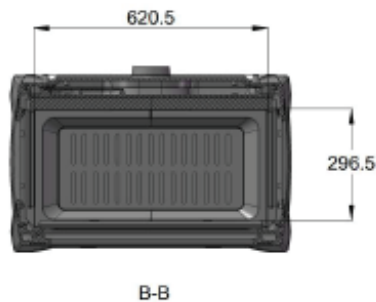
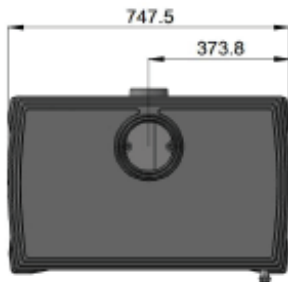
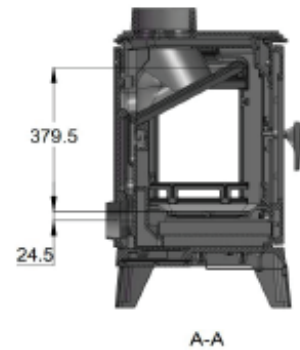
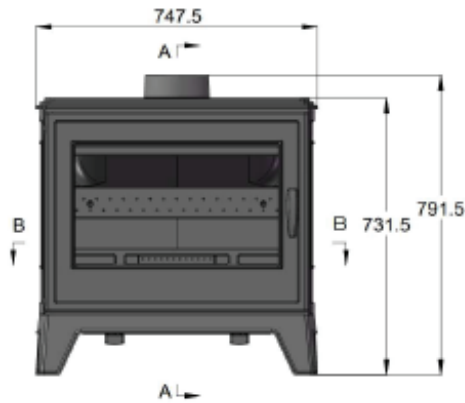
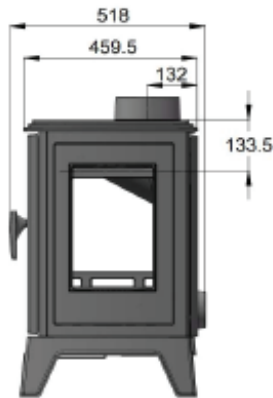




Output range Kw	14.3 - 16
Heating Capacity m³	318 - 356
Nominal Efficiency %	75,8
Type	Freestanding
Fuel Type	Wood
Brand	Calore
Category	Traditional Wood
Convection Type	Natural
Glass Cleaning Airflow	Yes
Ash Tray	Yes
Flue ø	150
Flue exit	Top/Rear
WxDxH mm	747.5 x 518 x 791.5
Weight Kg	225
Finish	Cast Iron
Warranty	3 Years

** All warranties are subject to CRMS registration.*



*Unit of measure and model dimensions may vary. E&OE.