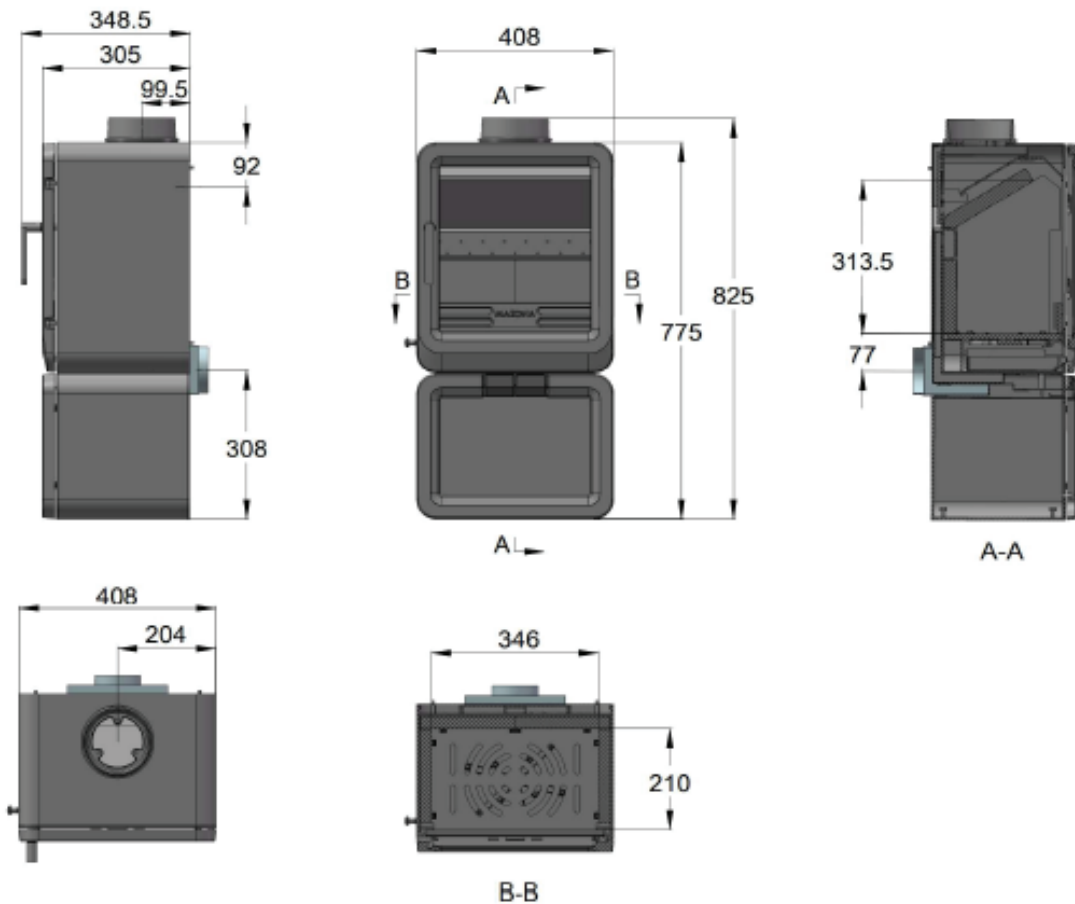




Output range Kw	5 - 8
Heating Capacity m³	111 - 178
Nominal Efficiency %	82,5
Type	Freestanding
Fuel Type	Wood
Brand	Calore
Category	Traditional Wood
Convection Type	Natural
Glass Cleaning Airflow	Yes
Ash Tray	Yes
Flue ø	130
Flue exit	Top/Rear
WxDxH mm	408 x 305 x x775
Weight Kg	85
Finish	Cast Iron & Steel
Warranty	3 Years

** All warranties are subject to CRMS registration.*



*Unit of measure and model dimensions may vary. E&OE.