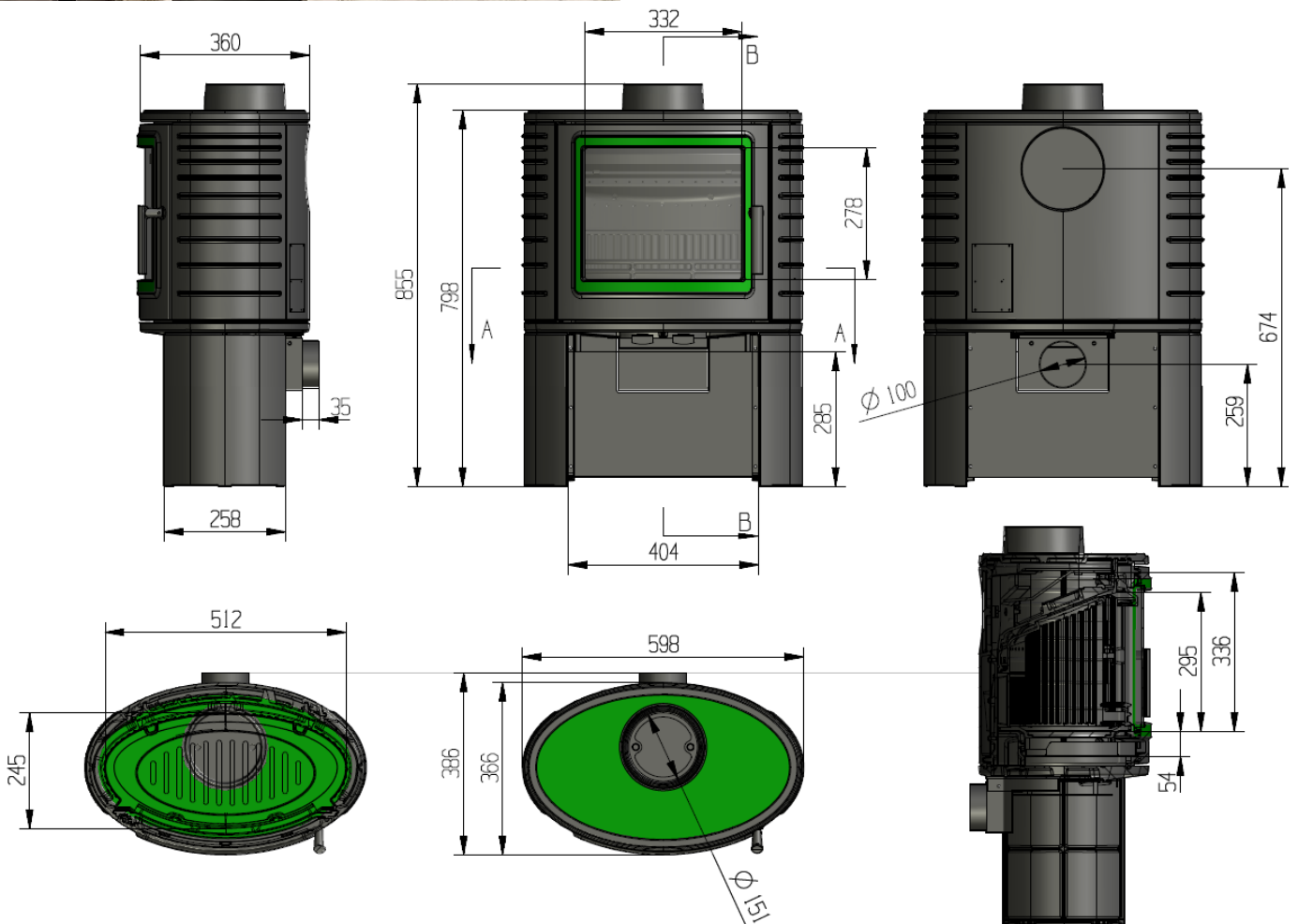




Output range Kw	5 - 10
Heating Capacity m³	220
Nominal Efficiency %	78.8
Type	Freestanding
Fuel Type	Wood
Brand	Calore
Category	Traditional Wood
Convection Type	Natural
Glass Cleaning Airflow	Yes
Ash Tray	Yes
Flue ø	150
Flue exit	Top/Rear
WxDxH mm	586x360x813
Weight Kg	161
Finish	Cast Iron
Warranty	12 Years
<i>* All warranties are subject to CRMS registration.</i>	



*Unit of measure and model dimensions may vary. E&OE.