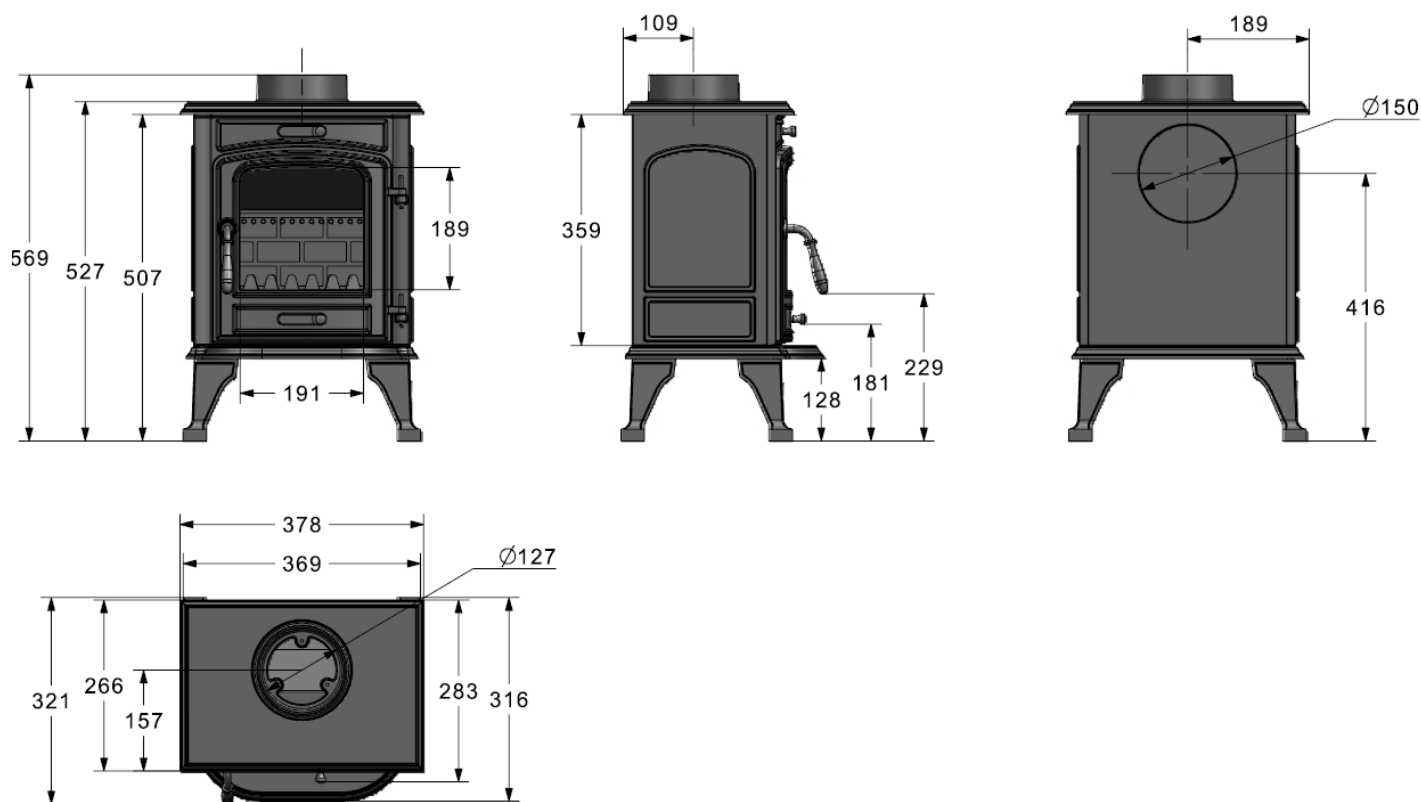




Output range Kw	4.2 - 7
Heating Capacity 	180
Nominal Efficiency %	79.2
Type	Freestanding
Fuel Type	Wood
Category	Traditional Wood
Convection Type	Natural
Glass Cleaning Airflow	Yes
Ash Tray	Yes
Flue ø	130
Flue exit	Top / Rear
WxDxH mm	376 x 266 x 527
Weight Kg	52
Finish	Cast Iron with Vermiculite
Warranty	3 Years

* All warranties are subject to CRMS registration.



*Unit of measure and model dimensions may vary. E&OE.