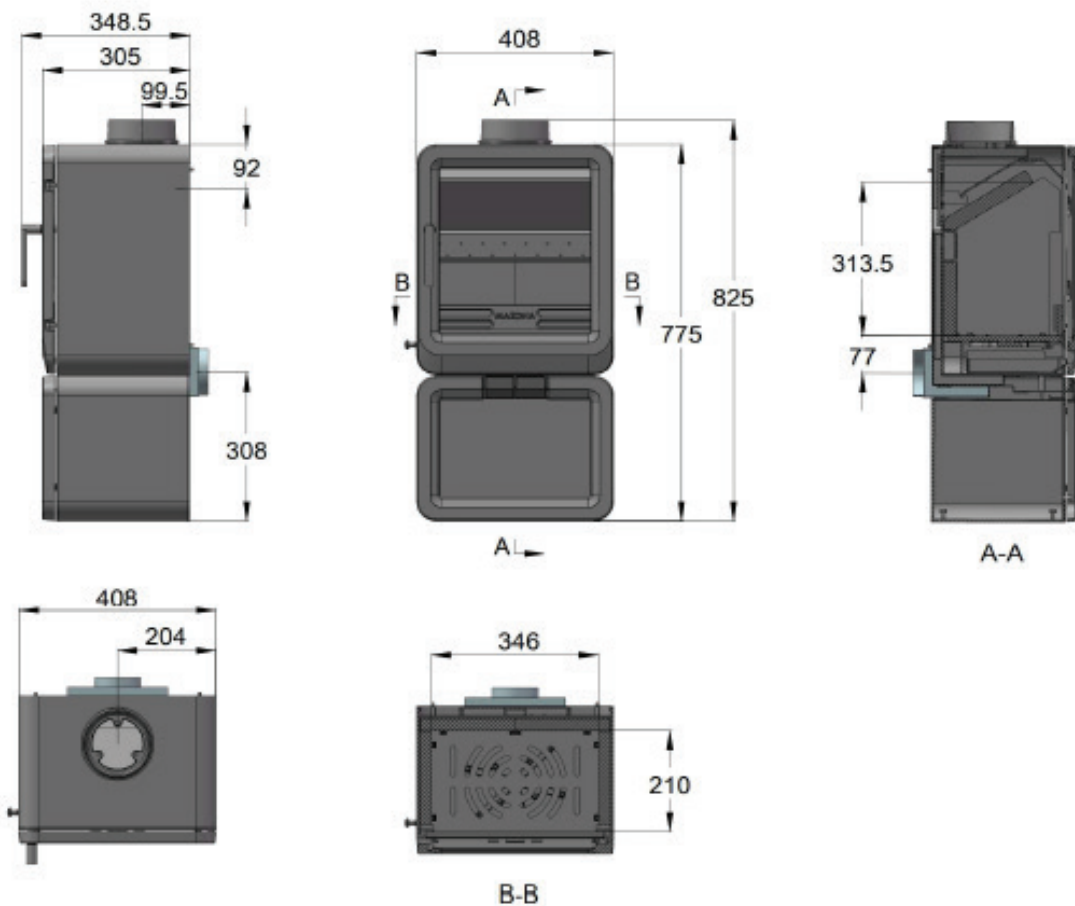




<b>Output range   Kw</b>	5 - 8
<b>Heating Capacity   m<sup>3</sup></b>	111 - 178
<b>Nominal Efficiency   %</b>	82,5
<b>Type</b>	Freestanding
<b>Fuel Type</b>	Wood
<b>Brand</b>	Calore
<b>Category</b>	Traditional Wood
<b>Convection Type</b>	Natural
<b>Glass Cleaning Airflow</b>	Yes
<b>Ash Tray</b>	Yes
<b>Flue ø</b>	130
<b>Flue exit</b>	Top/Rear
<b>WxDxH   mm</b>	408 x 305 x x775
<b>Weight   Kg</b>	85
<b>Finish</b>	Cast Iron & Steel
<b>Warranty</b>	12 Years

*\* All warranties are subject to CRMS registration.*



\*Unit of measure and model dimensions may vary. E&OE.